



# 9.5 cti/ 9.5 cti-s

*“El nuevo modelo termométrico de **WARN 9.5 cti (s)** ofrece un rendimiento extremo y gracias a unos ciclos de trabajo más largos, es perfecto para un verdadero **OFF-ROAD**”*



**ULTIMATE  
PERFORMANCE  
WINCH SERIES**



**ULTIMATE  
PERFORMANCE  
WINCH SERIES**

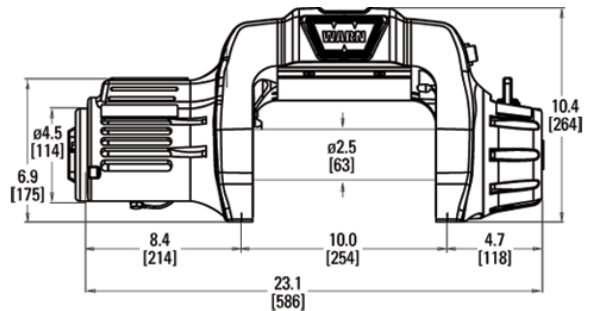
P/N 97550

## CARACTERISTICAS:

- Capacidad de arrastre 4.310 kg.
- Motor de 12v. Incluye sensor para transmisión de información térmica.
- Tren de engranaje de planetarios de 3 etapas
- Embrague de enrollado manual
- Freno automático
- Mando de cable (3,7m)
- Mando inalámbrico con indicador termométrico LED
- Peso aproximado: 36,3 kg.
- **CTI**
  - Cable de acero de 8mm x 38m., con gancho
  - Guía de rodillos
- **CTI-S**
  - Cable sintético de 9,5 mm x 30m., con gancho
  - Guía fija

P/N 97600

## DIMENSIONES:



DISTRIBUIDO POR:



**WARN 9.5 cti-s WINCH W/SYNTHETIC  
REPLACEMENT PARTS LIST**

**ORDERING INFORMATION:**

When ordering please give Warn Model no., Serial no., & Battery voltage. Parts may be obtained through your local dealer or distributor.

| <u>ITEM</u> | <u>QTY</u> | <u>PART NO.</u> | <u>DESCRIPTION</u>                                      |
|-------------|------------|-----------------|---|
| 25          | 1          | 26744           | CPSCR, M8x1.25 x 12-HEX HEAD                            |
| 26          | 1          | 1402            | WASHER, 5/16-HELICAL                                    |
| 27          | 3          | 13455           | NUT, M8x1.25, HEX                                       |
| 28          | 1          | 85758           | S/P, CONTROL ASSY, 9.5cti, 12V<br>(Includes #28A & 28B) |
| 28A         | 1          |                 | CONTACTOR, 2 COIL, 12V                                  |
| 28B         | 1          | 33295           | CABLE, ELEC. 2GA, RED, 72"                              |
| 29          | 1          | 85752           | S/P, COVER, CONTROL PACK ASSY                           |
| 30          | 1          | 86688           | SOCKET PLUG ASSEMBLY<br>(Includes wire harness)         |
| 31          | 1          | 86686           | S/P, COVER, MOTOR, BLK<br>(Includes #32)                |
| 32          | 4          | 5553            | CPSCR-#10-24 x 3/4, SOCKET HEAD                         |
| 35          | 1          | <b>87915</b>    | <b>S/P, 3/8" x 100', SYNTHETIC ROPE</b>                 |
| 36          | 1          | <b>87781</b>    | <b>HOOK, 3/8</b>  |
| 37          | 1          | 83658           | S/P, REMOTE CONTROL, LED                                |
| 38          | 1          | <b>87914</b>    | <b>S/P, POLISHED FAIRLEAD, HAWSE</b>                    |
| 39          | N/S        | 64642           | SEAL, KIT<br>(Includes #'s 11, 12, 20, & 21)            |

**P/N 87756 A1**

**WARN 9.5 cti-s WINCH W/SYNTHETIC  
REPLACEMENT PARTS LIST**

**WINCH P/N 97600**

**ORDERING INFORMATION:**

When ordering please give Warn Model no., Serial no., & Battery voltage. Parts may be obtained through your local dealer or distributor.

| <u>ITEM</u> | <u>QTY</u> | <u>PART NO.</u> | <u>DESCRIPTION</u>  |
|-------------|------------|-----------------|---|
| 1           | 1          | 86683           | S/P, END HSG, BLK (Includes #2, 4)<br>THRUST PLATE<br>RING GEAR, SLIDING<br>BUSHING |
| 2           | 1          | 79596           | S/P, CLUTCH LEVER<br>CLUTCH LEVER DETENT SCREW<br>SEAL, QUAD-X                      |
| 3           | 1          | 13826           | WASHER-THRUST, NYLON  |
| 4           | 2          | 13848           | HOUSING GASKET  |
| 5           | 10         | 13850           | CPSCR, 10-24 x 2-1/4,<br>HEX SOCKET HEAD  |
| 6           | 1          | 86684           | S/P, DRUM SUPPORT, GEAR, BLK<br>(Includes item #4)                                  |
| 7           | 1          | 25308           | RING GEAR, 75T  |
| 8           | 1          | 34342           | CARRIER ASSEMBLY, STAGE 2   |
| 9           | 1          | 28432           | CARRIER ASSEMBLY, STAGE 3   |
| 10          | 1          | 39479           | SUN GEAR, 18T, .50 HEX  |
| 11          | 1          |                 | SEAL, V-RING (Included in Kit #39)  |
| 12          | 1          |                 | BUSHING, DRUM (Included in Kit #39)   |
| 13          | 1          | 64633           | BRAKE ASSEMBLY, 9.5 Ti<br>(Includes item #'s 14, 15, & 16)                          |
| 14          | 1          | 74370           | DRIVE SHAFT, 11.47 x .50 HEX<br>W/RETAINING RING                                    |
| 15          | 1          | 14584           | DRIVE SPLINE, W/RETAINING RING  |
| 16          | 1          | 39480           | COUPLER, MOTOR, 12T   |
| 17          | 1          | <b>87689</b>    | <b>DRUM ASSEMBLY, SYNTHETIC</b>   |
| 18          | 1          | 86685           | S/P, DRUM SUPPPORT, MOTOR, BLK<br>(Includes #'s 18A)                                |
| 18A         | 1          |                 | GASKET, MOTOR   |
| 19          | 1          | 28430           | CARRIER ASSEMBLY, STAGE 1   |
| 20          | 1          |                 | SEAL, V-RING (Included in Kit #39)  |
| 21          | 1          |                 | BUSHING, DRUM, THICK WALL<br>(Included on Kit #39)                                  |
| 22          | 1          | 64635           | MOTOR, LONG, 12V, W/TPD<br>(Includes item #'s 18A, 25, 26, & 27)                    |
| 23          | 6          | 79706           | TPSCR- 5/16-18 x 2-1/4, HEX SOCKET  |
| 24          | 1          | 15901           | CABLE, ELEC. 2GA, BLK, 72"  |

